

# Road Commander Slide-Out / High Current Module

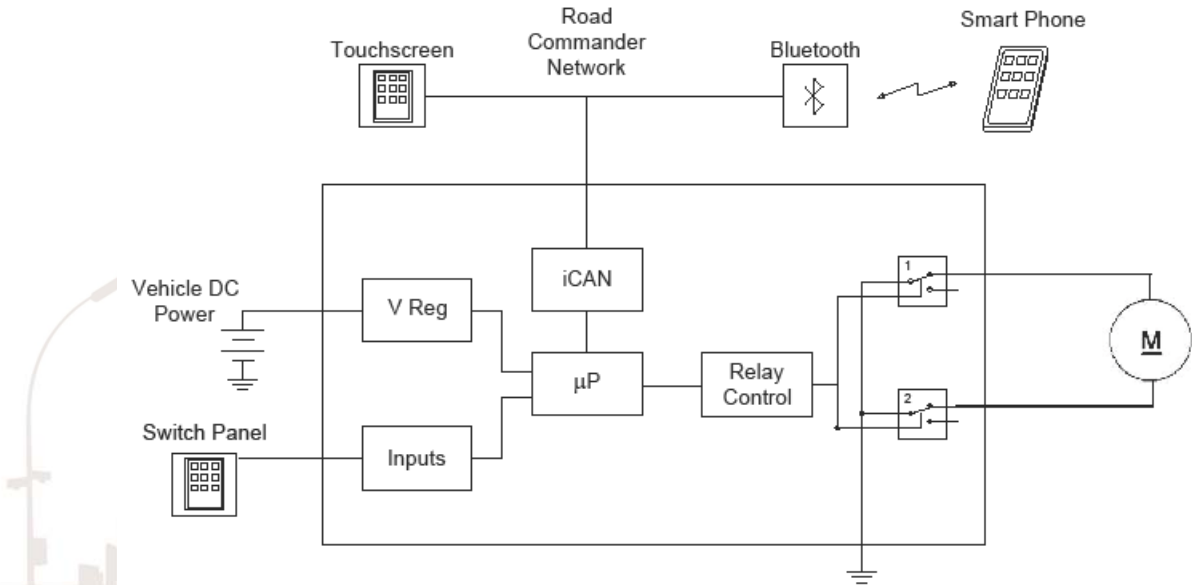


Part number: 00-01096-000

Description:

The Road Commander Slide-Out / High Current Module is designed as a multipurpose module capable of driving high current load. When configured as a slide-out module the 00-01096-000 acts as a single H-bridge module capable of driving 30 amp motors in both directions. With short circuit and over current shutdown built in, the module knows when the slide-out has fully extended or retracted.

When the 00-01096-000 is configured as a high current module it can be used to supply power to a water pump, water heater or any number of high current devices if desired. Configured in this mode of operation, two relay outputs are available where the combination of both may not exceed 25 amps. For example, 2x 10 amp relay outputs configured. These outputs are configurable to be momentary outputs or latching outputs depending on the application. There are no serviceable parts within the High Current module. If the module is deemed defective then it must be replaced. Disassembly of the module voids the warranty.



Typical Arrangement – Single Slide Out Control Interface



Product Features

- 'Sleep mode' minimizes the amount of power consumption when inactive for certain amount of time.
- Provides 'over-current' protection for the motor controlled application - no additional fusing required.
- Allows for operation of installed features when outside of the coach such as deploying slide-outs, awnings, and activating lights.
- On-board indicators show network status and fault codes.
- Configurable as either a slide-out module or a high current module.
- Outputs can be set to momentary or latching and have over current shut down parameters.
- Control is available by using OEM installed switches, Intellitec touchscreen LCD panels, and SMART Devices.
- Operates independent of the Road Commander family of products.
- Expandable and adaptable to previous model year coaches.

Environmental Specifications

Operating temp: -40/50 deg C (-40/122 deg F)  
 Storage temp: -40/125 deg C (-40/260 deg F)  
 Intrusion Rating: None  
 Agency approvals: None

<u>Electrical Specifications</u>	<u>Unit</u>	<u>Min</u>	<u>Typ</u>	<u>Max</u>
Operating supply voltage	V	10	12	20
Reverse supply voltage	V			-36
Max Current Draw	A			30
Quiescent Current Draw	mA			50
Control Current (H-Bridge)	A	0		5
Control Current (High Current Module)	A	0		25
Control Circuit Voltage	V	10	12	30
Logic Input Voltage	V	0	12	20

Mechanical Specifications

	<u>Unit</u>	<u>L x W x H</u>
Housing:	Inch	6 x 3.6 x 1.2
	mm	152.6 x 90.7 x 38.6



Module Weight:	ounces	8
	grams	227

Harness:	Pig-tail and/or terminator part number	
	Configurator Adapter Harness	11-01096-108
	8-way Wiring Pig-tail (J1)	11-01096-008
	RC Network Terminator	11-01096-208

Connector(s): Faston – Battery  
 Faston – Ground  
 Faston – Out 1 / Extend  
 Faston – Out 2 / Retract  
 J1, 8-way Molex Mini-Fit Jr.

1	N/C	5	Input 1
2	N/C	6	Input 2
3	CAN H	7	RS232 TX
4	CAN L	8	RS232 RX

Available Product Literature and Guides:

Brochure:	53-01096-000
Product Specification:	53-01096-001
User’s Guide:	53-01096-100
Installation and Applications:	53-01096-200
Supporting Documents:	53-01096-300



Intellitec MV Ltd  
 Unit 9 Woodway Court  
 Thursby Road  
 Bromborough  
 Wirral Ch62 3PR  
 Tel: 0151 482 8970  
 Email: sales@intellitecmv.com

[www.intellitecmv.com](http://www.intellitecmv.com)

Available Accessory Items and Kits:

USB Program Adapter Kit:	10-01079-000
--------------------------	--------------

