

10 Negative Switched Low Watt Outputs (0.1A Load), PMC Output Modules

Date datasheet created:
19/07/2013

PMCI/O Modules 00-00923-000 is the newest member of Intellitec's Programmable Multiplex Control family and is a direct replacement for the 00-00702-320 / 330 module. This works in combination with the PMC CPU and other standard, semi-custom or custom I/O modules, allowing you to create the exact system configuration that you want from basic to all encompassing.

There are ten connections for low wattage loads, such as dash warnings lights, beepers, or light-duty loads (1.0 Ampere Max per module). The PMC CPU utilizes input information from other modules on the system, and via the PMC communications link controls the ten loads of this module. All of the output harnesses are connected with AMP Mate-N-Lok connectors to reduce installation time and errors.

All loads are negative (low-side), switched to a local load ground which needs to be provided to the module. In other words, the outputs are connected between the load and ground. (Different than the 406/416 module which provides for high-side switching). A fused load power connection is available at the module. The intended use of the fused power terminations, (J1-1 or J3-4), is not for loads such as OEM switches that require a power source.



Pat. No. 4,907,222 & 6,011,997

Advanced Diagnostic:

- *Output LED indicators (Green) illuminates when the a return ground path connection is created by PMC logic block as shown in the pictorial to the right.

- *IPX Com Fault LED (Red) illuminates if there is a loss of communication to the module.

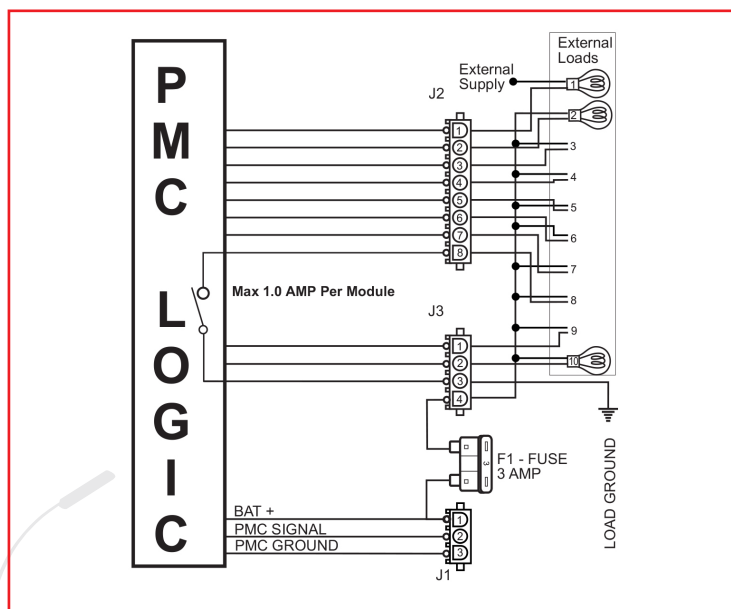
- *Overload Indicator (Red) illuminates when one or all of the Output channel(s) total current exceeds 1.5 Amps for greater than 10 milliseconds, indicating a short circuit condition.

During a short circuit condition, all output channels are turned off. NOTE: After a 5 second delay, the output channels will turn on (if still active) to check and see if the over current condition has cleared or not.

- *Auto-Reset feature allows for automatic recovery from the over current condition. If a fault did occur the on-board processor checks the status of the output(s) every 5 seconds to determine if the channel(s) may be turned back on and the output module re-activated.

- * Optical isolation is provided to ensure the external or the output channels does not corrupt the integrity of the communication link.

The module dimensions are 6.375" X 4.375" X 1.875" (16.2mm X 12mm X 4.8mm). The module is intended to be installed in a protected environment inside of the vehicle.



For further information on this product, please contact Intellitec.

10 Negative Switched Low Watt Outputs (0.1A Load), PMC Output Modules

Date datasheet created:
19/07/2013

Specifications

General Connections		00-00923-000
Nominal Vehicle Voltage		12V / 24V
J3-4	Fuse 1, Load Power ^{#1}	3 Amps Max.
J3-3	Local Load Ground	
J1-1	Bat + (From CPU) ^{#1}	
J1-2	PMC Signal	18 awg Min.
J1-3	PMC Ground	14 awg Min.

#1 Module no longer support providing battery / system power to external switches and modules.

CHANNEL DESIGNATIONS

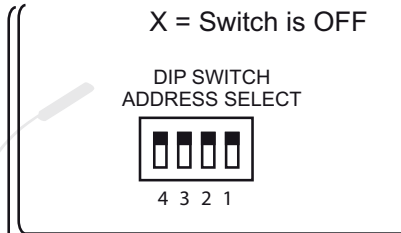
Channel	Connection	Type	Name	Rating
1	J2 -1	Output, Negative Switch to Gnd	Load 1	0.1 Amp
2	J2 -2	Output, Negative Switch to Gnd	Load 2	0.1 Amp
3	J2 -3	Output, Negative Switch to Gnd	Load 3	0.1 Amp
4	J2 -4	Output, Negative Switch to Gnd	Load 4	0.1 Amp
5	J2 -5	Output, Negative Switch to Gnd	Load 5	0.1 Amp
6	J2 -6	Output, Negative Switch to Gnd	Load 6	0.1 Amp
7	J2 -7	Output, Negative Switch to Gnd	Load 7	0.1 Amp
8	J2 -8	Output, Negative Switch to Gnd	Load 8	0.1 Amp
9	J3 -1	Output, Negative Switch to Gnd	Load 9	0.1 Amp
10	J3 -2	Output, Negative Switch to Gnd	Load 10	0.1 Amp

MATING CONNECTIONS

Designator	Function	Connector	Mating Part #	Contact, Typical	
				For 14-18 AWG	for 10-12 AWG
J1	PMC Link	3 Pin Amp Mate-N-Lok	1-480700-0	350919-3	640310-3
J2	Loads	8 Pin Amp Mate-N-Lok	1-480702-0	350919-3	640310-3
J3	Loads, Power, GND	4 Pin Amp Mate-N-Lok	640586-1	350919-3	640310-3

MODULE SETTINGS

Module can be set for 1 of 16 address, A-P.
A-P. Set four dip switches, Sw1, per table on right.

	DIP SWITCH	MODULE	DIP SWITCH	MODULE
	4 3 2 1	Address	4 3 2 1	Address
	0 0 0 0	A	X 0 0 0	I
	0 0 0 X	B	X 0 0 X	J
	0 0 X 0	C	X 0 X 0	K
	0 0 X X	D	X 0 X X	L
	0 X 0 0	E	X X 0 0	M
	0 X 0 X	F	X X 0 X	N
	0 X X 0	G	X X X 0	O
	0 X X X	H	X X X X	P