



## Part Nos.

00-00622-110: 12v Module

00-00622-100: 24v Module

## Key Features

10 Input Connections

Works as part of PMC System

Connections with AMP Mate N Lok

Module can be set for 1 of 16 addresses

## About

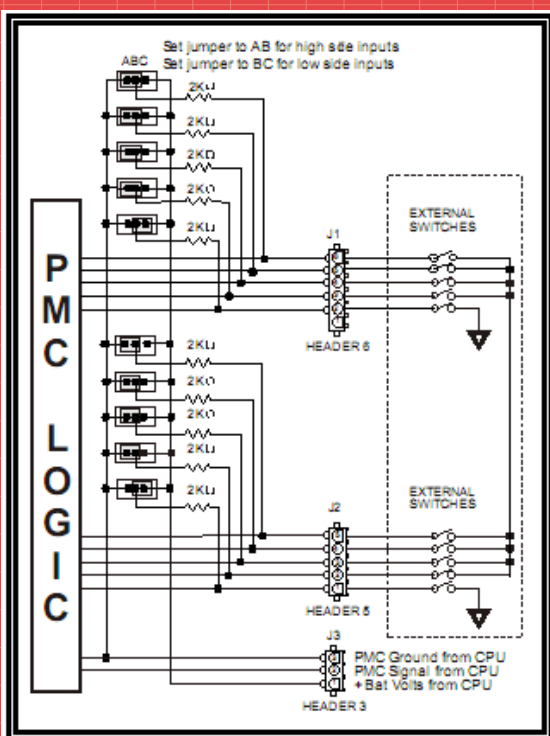
Intellitecs 100 & 110 Input modules are members of the Programmable Multiplex Control (PMC) system. Designed to work in tandem with the PMC CPU and other standard, semi-custom or custom I/O modules.

Featuring 10 input connections for rocker, limit, or sensor switches. Each individual input can be configured as either a switch to ground, or a switch to battery. All input information is directly communicated to the CPU via the PMC comms link. The CPU then utilizes this information to control other PMC output modules within the system.

All output harnesses are connected with AMP Mate-N-Lok connectors to reduce installation time and errors. Approximate module dimensions are 16.2cm X 9.5cm X 4.8cm. The module should be installed in a protected environment inside of the vehicle.

To reduce wiring and if your panel switches are grouped together, you may consider using Intellitec's standard switch adapters, custom adapters or custom switch panels of which several are available.

Rocker switches can then be plugged into these adapters which plug directly into the PMC Multiplex bus. This eliminates the wiring between standard rocker switches and the 100/110 PMC I/O module.



**MATING CONNECTIONS**

Designator	Function	Connector
J1	Inputs	6 Pin Amp Mate-N-Lok
J2	Inputs	5 Pin Amp Mate-N-Lok
J3	PMC Com	3 Pin Amp Mate-N-Lok

Designator	Mating Part #	Contact, Typical	14-18 AWG	10-12 AWG
J1	640585-1	350919-3	640310-3	
J2	1-480763-0	350919-3	640310-3	
J3	1-480700-0	350919-3	640310-3	

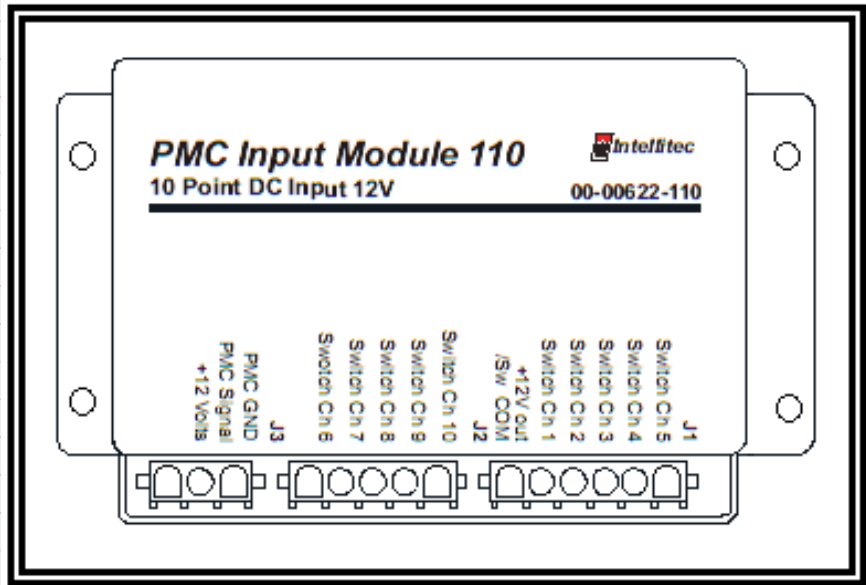
  

**JUMPER SETTINGS**

Module can be set for 1 of 16 address.  
 Set four jumpers on jumper block JP2 per table

JUMPERS		JUMPERS	
4 3 2 1	Address	4 3 2 1	Address
0 0 0 0	A	X 0 0 0	I
0 0 0 X	B	X 0 0 X	J
0 0 X 0	C	X 0 X 0	K
0 0 X X	D	X 0 X X	L
0 X 0 0	E	X X 0 0	M
0 X 0 X	F	X X 0 X	N
0 X X 0	G	X X X 0	O
0 X X X	H	X X X X	P

X= Jumper is Out



**SPECIFICATIONS**

General Connections	12V	00-00622-110
	24V	00-00622-100
J1-1	Fuse 1, Power for pos switched inputs	3 A Max.
J3-1	External Power from CPU	3 A Max.
J3-2	Multiplex Signal	18 awg Min.
J3-3	Multiplex Ground	16 awg Min.

**CHANNEL DESIGNATIONS**

Channel	Connection	Type	Name	Rating Input Resistance
1	J1-2	Input, Pos or Neg	Switch 1	2K
2	J1-3	Input, Pos or Neg	Switch 2	2K
3	J1-4	Input, Pos or Neg	Switch 3	2K
4	J1-5	Input, Pos or Neg	Switch 4	2K
5	J1-6	Input, Pos or Neg	Switch 5	2K
6	J2-1	Input, Pos or Neg	Switch 6	2K
7	J2-2	Input, Pos or Neg	Switch 7	2K
8	J2-3	Input, Pos or Neg	Switch 8	2K
9	J2-4	Input, Pos or Neg	Switch 9	2K
10	J2-5	Input, Pos or Neg	Switch 10	2K

10 Inputs labelled Switch 1-10 can be individually set for either positive (high-side) switched to the battery, or negative (low-side) switched to ground. Setting a jumper to short pins AB selects positive switch. Setting a jumper to short pins BC selects negative switch.

Intellitec MV Ltd  
 9 Woodway Court  
 Thursby Road  
 Bromborough  
 CH62 3PR

T: 0151 482 8970  
 F: 0151 482 8977  
 E: sales@intellitecmv.com

