

Boardroom Electrol®

Automatic Electric Projection Screen Model



SPECIFICATION DATA

SUGGESTED SPECIFICATIONS: _____ projection screen(s), _____(H) x _____(W), electrically operated 120 volt (60Hz), not more than 2.4 amp. Shall have specially designed motor mounted inside the roller, to be three wire with ground, quick reversal type, oiled for life, with automatic thermal overload cutout, integral gears, capacitor and an electric brake to prevent coasting. To have preset but adjustable limit switches to automatically stop picture surface in the "down" position. The roller to be of rigid metal. Screen fabric to be flame retardant and mildew resistant fiberglass with black masking borders standard. Bottom of fabric shall be formed into a pocket holding a metal rod. The ends of the rod shall be protected by heavy-duty plastic caps. Case to be of wood with metal-lined wiring compartment. A section of the bottom of the case shall be a door equipped with hinges so that

it opens and closes automatically with the lowering and raising of the picture surface. When the picture surface is being lowered, the door shall drop open by gravity. When the picture surface is being raised, the two ends of the slat in the bottom pocket of the screen fabric shall engage two hooks on the door to lift it to the closed position where the door will engage a micro switch that will cut off the electrical current to the motor. The balance of the bottom of the case shall be a second hinged door with manual opening to provide access. Hinges shall be mounted to allow matching of the doors to the ceiling. Case to be finished with a black primer coat, ready to accept final finish by others. To be complete with three position control switch with cover plate. Screen to be listed by Underwriters' Laboratories.



HDTV (16:9) Format Dimensions (2" Standard Black Drop at Top)

| Viewing Area (H x W) | | Nominal Diagonal | | Overall Length of Case | | Approx. Ship. Wt. | |
|----------------------|-----------|------------------|-----|------------------------|-----|-------------------|------|
| In. | Cm | In. | Cm | In. | Cm | Lbs. | Kg |
| 45" x 80" | 114 x 203 | 92" | 234 | 97½" | 248 | 91 | 41.3 |
| 52" x 92" | 132 x 234 | 106" | 269 | 109½" | 278 | 101 | 45.8 |
| 54" x 96" | 137 x 244 | 110" | 279 | 113½" | 288 | 112 | 50.8 |
| 58" x 104" | 147 x 264 | 119" | 302 | 121½" | 309 | 122 | 55.3 |
| 65" x 116" | 165 x 295 | 133" | 338 | 133½" | 339 | 136 | 61.7 |
| 78" x 139" | 198 x 353 | 159" | 404 | 157½" | 400 | 155 | 70.3 |
| 90" x 160" | 229 x 406 | 184" | 467 | 177½" | 451 | 188 | 85.3 |

Wide (16:10) Format Dimensions (2" Standard Black Drop at Top)

| Viewing Area (H x W) | | Nominal Diagonal | | Overall Length of Case | | Approx. Ship. Wt. | |
|----------------------|-----------|------------------|-----|------------------------|-----|-------------------|------|
| In. | Cm | In. | Cm | In. | Cm | Lbs. | Kg |
| 50" x 80" | 127 x 203 | 94" | 239 | 97½" | 248 | 91 | 41.3 |
| 57½" x 92" | 146 x 234 | 109" | 277 | 109½" | 278 | 101 | 45.8 |
| 60" x 96" | 152 x 244 | 113" | 287 | 113½" | 288 | 112 | 50.8 |
| 65" x 104" | 165 x 264 | 123" | 312 | 121½" | 309 | 122 | 55.3 |
| 69" x 110" | 175 x 279 | 130" | 330 | 127½" | 324 | 133 | 60.3 |
| 72½" x 116" | 184 x 295 | 137" | 348 | 133½" | 339 | 136 | 61.7 |
| 87" x 139" | 221 x 353 | 164" | 417 | 157½" | 400 | 155 | 70.3 |
| 100" x 160" | 254 x 406 | 189" | 480 | 177½" | 451 | 188 | 85.3 |

Video (NTSC 4:3) Format Dimensions (2" Standard Black Drop at Top)

| Viewing Area (H x W) | | Nominal Diagonal | | Overall Length of Case | | Approx. Ship. Wt. | |
|----------------------|-----------|------------------|-----|------------------------|-----|-------------------|------|
| In. | Cm | In. | Cm | In. | Cm | Lbs. | Kg |
| 43" x 57" | 109 x 145 | 72" | 183 | 73½" | 187 | 72 | 32.7 |
| 50" x 67" | 127 x 170 | 84" | 213 | 83½" | 212 | 80 | 36.3 |
| 57" x 77" | 145 x 196 | 96" | 244 | 97½" | 248 | 90 | 40.8 |
| 60" x 80" | 152 x 203 | 100" | 254 | 97½" | 248 | 91 | 41.3 |
| 69" x 92" | 175 x 234 | 120" | 305 | 109½" | 278 | 101 | 45.8 |
| 87" x 116" | 221 x 295 | 150" | 381 | 133½" | 339 | 136 | 61.7 |
| 105" x 140" | 267 x 356 | 180" | 457 | 157½" | 400 | 164 | 74.4 |
| 120" x 160" | 305 x 406 | 200" | 508 | 177½" | 441 | 188 | 85.3 |

Square Format Dimensions (Screens With ^ Have 2" Standard Black Drop at Top)

| Sizes (H x W) | | Overall Length of Case | | Approx. Ship. Wt. | |
|---------------|-----------|------------------------|-----|-------------------|------|
| In. | Cm | In. | Cm | Lbs. | Kg |
| 50" x 50" | 127 x 127 | 63½" | 161 | 64 | 29.0 |
| 60" x 60" | 152 x 152 | 73½" | 186 | 73 | 33.1 |
| 70" x 70" | 178 x 178 | 83½" | 211 | 83 | 37.7 |
| 84" x 84" | 213 x 213 | 97½" | 248 | 95 | 43.1 |
| 6' x 8'^ | 183 x 244 | 109½" | 278 | 101 | 45.8 |
| 8' x 8' | 244 x 244 | 109½" | 278 | 105 | 47.6 |
| 7' x 9'^ | 213 x 274 | 121½" | 309 | 112 | 50.1 |
| 9' x 9'^ | 274 x 274 | 121½" | 309 | 119 | 54.0 |
| 8' x 10'^ | 244 x 305 | 133½" | 339 | 134 | 60.8 |
| 10' x 10'^ | 305 x 305 | 133½" | 339 | 141 | 64.0 |
| 9' x 12'^ | 274 x 366 | 157½" | 400 | 164 | 74.4 |
| 12' x 12' | 366 x 366 | 157½" | 400 | 168 | 76.2 |

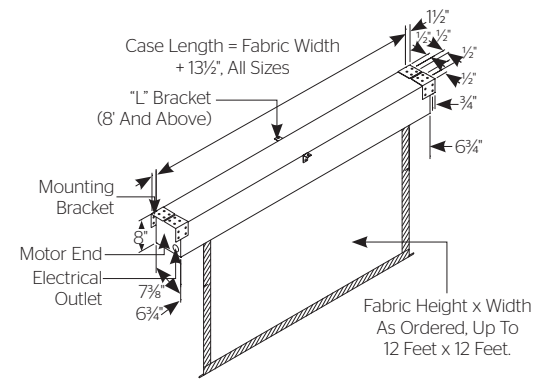
PRODUCT NOTES

- **Matte White:** Seamless in all sizes.
- **Video Spectra 1.5:** Available in sizes where both dimensions do not exceed 8'.
- **High Power®:** Available in sizes up to 9' x 12'. Horizontal seam required when both dimensions exceed 8'.
- *Add 3" to overall length of case for mounting brackets.
- Overall case length dimensions +/- 1/4" (6 mm).
- Detail dimensional drawings, wiring diagrams and installation instructions available upon request.
- Specifications subject to change without notice.
- Custom formats and sizes available upon request

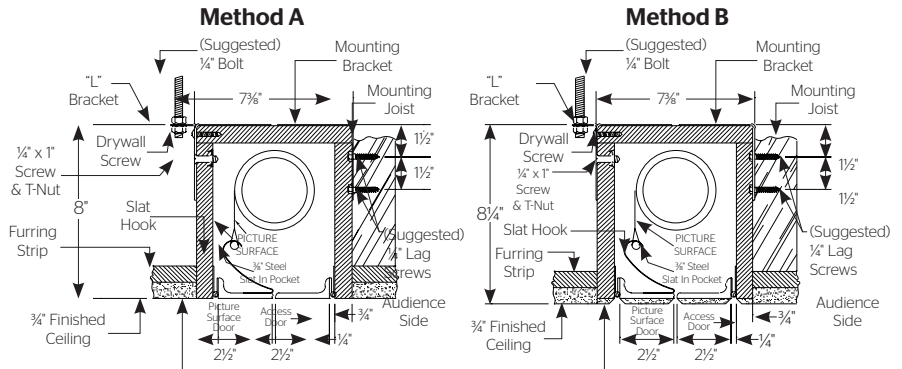
WHEN ORDERING, MARK APPROPRIATE SELECTIONS

- Select size from charts on other side.
- Select viewing surface (All Da-Lite surfaces are GREENGUARD GOLD Certified):
 - Matte White
 - High Power®
 - Video Spectra 1.5
3. Optional accessories:
 - Extra Drop available to lower picture area more than normal. Specify total drop at top ____ (black or white) or at bottom ____ (black or white). 13' maximum total surface height including picture area.
 - Single Motor Low Voltage Control (LVC) - external.
 - Wireless Remote Control for LVC.
 - Radio Frequency Remote.
 - Radio Frequency Range Extender available
 - Infrared Remote.
 - Key Locking Cover Plate for 120V or LVC Switch.
 - Silent Motor.
 - Key Operated Switch for 120V only (NOTE: Cannot be used with LVC).
 - No Borders (Black masking borders standard).
 - 220 Volt (50 Hz) Motor.
 - Video Projector Interface Control - external.
 - External SCB-100 - RS-232 Serial Control Board
 - NET-100 Ethernet-Serial Adapter
 - White doors (brushed aluminum standard).
 - White box (black standard).

PRODUCT VIEW

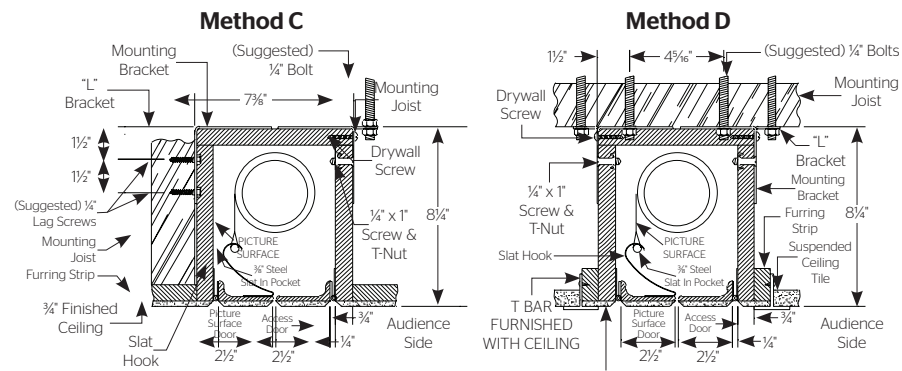


SUGGESTED METHODS OF INSTALLATION



Note: Can Be Painted The Same As Door
 Offset mounting, recessed above ceiling. For plaster, dry wall, tile or paneling. Doors and bottom of case painted same finish as ceiling.

Ceiling Tile Cut To 1/4" Thick (Attach With Mastic)
 Offset mounting, recessed above ceiling. May be adapted for 3/4" ceiling, but cut to 1/4" thick under doors and screen case.



Flush mounting, recessed above ceiling. May be adapted for 1/4" paneling for ceiling and doors.

Ceiling Tile Cut To 1/4" Thick (Attach With Mastic)
 Flush mounting, recessed above ceiling. For use with dropped ceiling. May also be adapted for use with acoustical or other ceiling 3/4" thick but cut to 1/4" thick under doors and screen case.



A Milestone AV Technologies Brand

3100 North Detroit Street
 Warsaw, Indiana 46582
 P: 574.267.8101 or 800.622.3737
 F: 574.267.7804 or 877.325.4832
 E: info@da-lite.com
 www.da-lite.com

DL-0183 (Rev. 1) 08.14
 © 2014 Milestone AV Technologies LLC. Printed in U.S.A.

Project Name: _____
 Architect: _____ Phone: _____
 Contractor: _____ Phone: _____
 Supervisor: _____ Phone: _____
 Supplier: _____ Date: _____
 Revised: _____